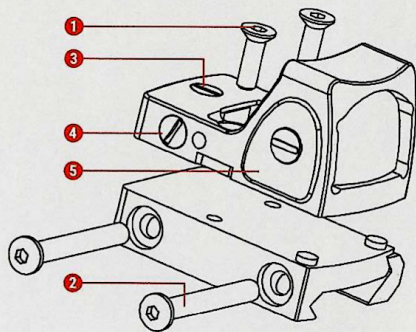


CONFIGURATION



- 1 Śruba płaska 3 Regulator wysokości 5 Przycisk Minus
2 Śruba 4 Regulator horyzontalny

INSTALL BATTERY

- Remove the optic from the mount by removing the two flathead screws **1** with the supplied allen wrench.
- Once the sight is removed, carefully insert the allen wrench into the pry notch to lift the battery out of the battery compartment. Taking a new battery, inspect the battery to ensure there is no corrosion or damage to the battery.
- Install battery into sight so that the negative (-) is facing down as marked on the label and engraved inside the case. The system has reverse polarity protection and a mechanical stop to prevent the battery from being installed incorrectly. Failure to install the battery properly may bend the contacts and prevent operation.
- Install the optic by aligning the locating holes on the sight with the bosses on the mount and pressing down until the sight is fully seated (the sight should sit flush on the mount), tighten each screw until it seats, then secure.

INSTALL NOTES

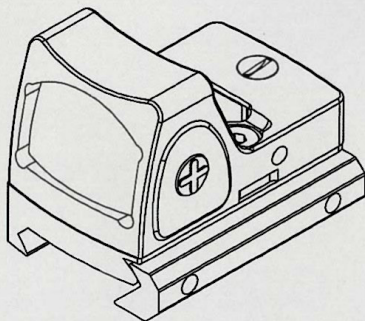
- Loosen the optic Mount's screw **2** using the tool, and clamp the locking around the rail.
- With the screw positioned in a groove of the rail, push the sight forward and tighten the screw.
- Tighten the screw until a light resistance is encountered.

Elevation Adjuster

- The windage adjuster is located on the top side of it (**3** can be adjusted using a screwdriver or coin).
- Adjustments are 1 MOA per click and can be detected through audible and physical feedback.

Regulator horyzontalny

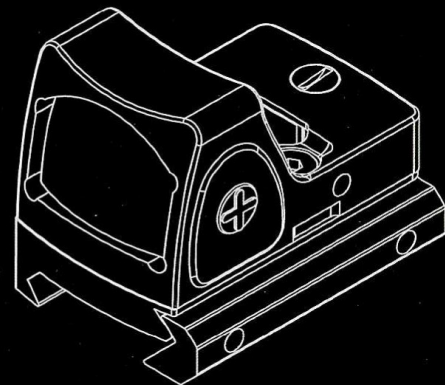
- The windage adjuster is located on the right side of it (**4** can be adjusted using a screwdriver or coin).
- Adjustments are 1 MOA per click and can be detected through audible and physical feedback.



Product Code	THO-10-037705-00	
Name	Mini Reflex Sight RMR Type	
Picture		
Optical	Light Source	LED
	Reticle	3.5 MOA Dot Red
	Objective Lens	23.8mm*16.7mm
	Magnification	1X
	Parallax Setting	≤2MOA at 30 yd
	Eye Relief	Unlimited
Mechanical	Fog Proof	Yes
	Lens Coating	Anti-reflective, Anti-fog, Scratch Resistant
	Housing Material	AL 6061-T6
	Housing Color	Black
	Nitrogen Filled	No
	Surface Finish	Ordinary Oxidation
	WGE Adjustment	≥ ± 50 MOA
	Adjustment per Click	1 MOA
Electronic	WaterProof	IPX7
	Shock-Proof	800G
	Storage Temperature	-35 °C~75 °C
	Operational Temperature	-25 °C~50 °C
	Battery Type	CR2032
Physical	Battery Voltage	3V
	Battery Life	Not less 230 hours at then 4th stage
	Brightness Setting	10 Daylight
Physical	Dimension (in)	1.77x1.17x1.41
	Weight(oz)	2.2oz
	Central Height (in)	0.75



RUGGED



USER MANUAL

INSTRUKCJA OBSŁUGI

Mini Reflex Sight RMR